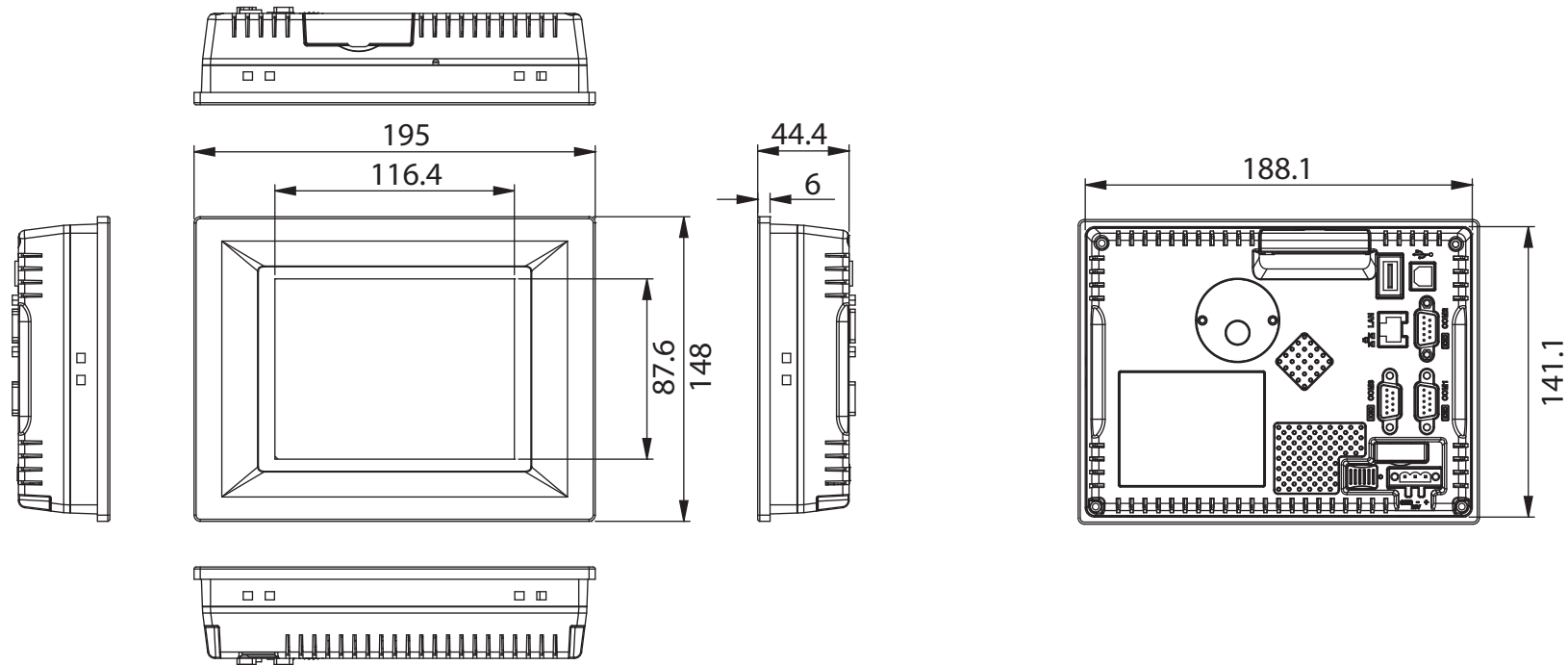


Unit: mm



Panel Cut-out Dimensions: TPC-61T: 189 x 142 mm